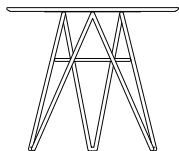


# SELF

Design: GIACOMO CATTANI

Small metal table

0125-Q



**DIMENSION**

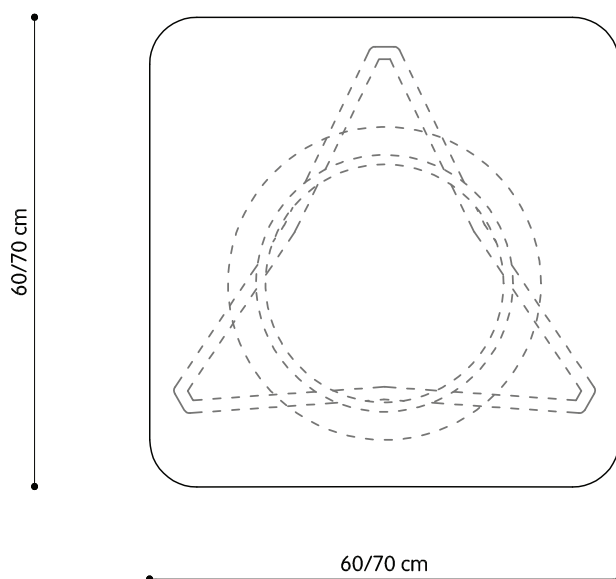
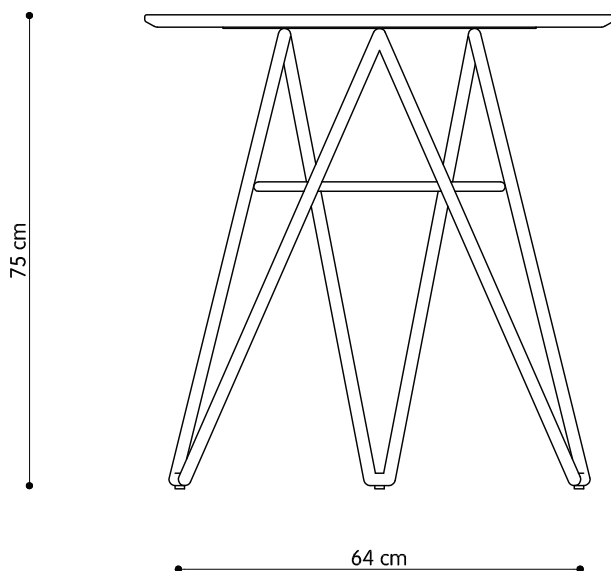
Height 75  
Width 60/70  
Depth 60/70

**FINISHING**

Frame Metal  
Top Metal  
- thickness 8 mm

**PACKING**

Height 80  
Width 70  
Depth 70  
Pieces for Pckg 1  
Gross Weight 24  
cu.m. 0.39

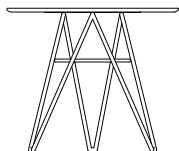


# SELF

Design: GIACOMO CATTANI

Small metal table

0125-R



### DIMENSION

Height 75  
Diameter 60/70

### FINISHING

Frame Metal  
Top Metal  
- thickness 8 mm

### PACKING

Height 80  
Width 70  
Depth 70  
Pieces for Pckg 1  
Gross Weight 24  
cu.m. 0.39

