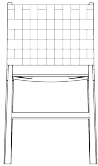


JULIE

Design: Emilio Nanni

Beechwood with backrest in interwoven thick leather and wooden seat, covered with thick leather

0022 – CU – LE



DIMENSION

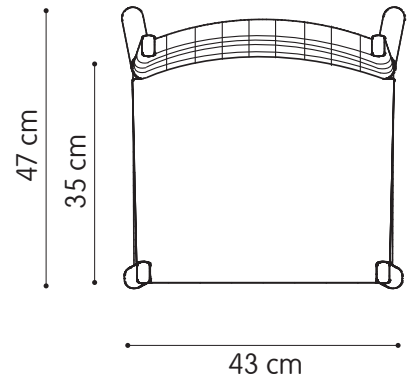
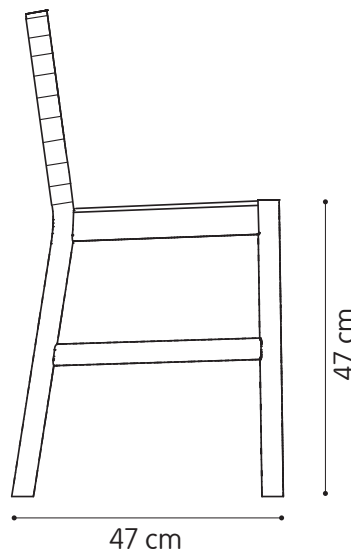
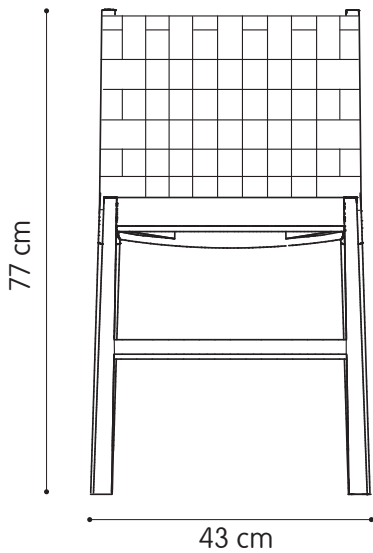
Height	77
Width	43
Depth	47
Sitting Height	47

FINISHING

Base	Solid Beech
Seat	Beech Multilayer - Thickness 12 mm Applied Thick Leather - Thickness 0,20 mm
Back	Woven Thick Leather

PACKING

Height	96
Width	46
Depth	66
Pieces for Pckg	2
Gross Weight cu.m.	12 0,29



FINISHINGS

WOOD Our standard lacquers have a matt finish; the relevant RAL and NCS codes can be found at the back of the Trabà catalogue in the KEEP COLOURS section. Colors are divided into two price categories referred to on the price list as LACQUERED BASIC and LACQUERED FASHION. For sample colors the cost it's the same of LACQUERED BASIC.

LACQUERED BASIC

White RAL 9010
Sand RAL 7044
Black RAL 9011
Tortora RAL 7006
Grey RAL 7010
Dark Brown RAL 8019
Dark Green RAL 6003
Oil Green RAL 6000
Blue Sea RAL 6034
Sage Green RAL 6013
Powder S 1010Y90R

LACQUERED FASHION

Bordeaux RAL 3004
Red RAL 3013
Anthracite Grey RAL 7016
Antique Pink RAL 3012
Pink NCS 1021
Violet RAL 4008
Bluette RAL 5009
Yellow RAL 1003
Brick RAL 3009
Red Pomegranate RAL 3031
Sage green NCS 5010 G 10Y
Fuchsia NCS S 2060R10B
Purple RAL 4011
Yellow NCS S 1050 Y 10R
NCS S 6020 R 90 B

COVERINGS

C CATEGORY

JET - Fidivi (100%Trevira)
FOX - Fidivi (100%Trevira)
INCAS - Fidivi (100%Trevira)
SKILL - Flukso (69%PVC - 20%PES - 10%CO - 1%PU)
ALCE - Mam (30%CO - 1%PU - 69%PVC)
TIME - Mam (10%CO - 20%PES - 1%PU - 69%PVC)
PLATINUM - Flukso (82%PVC - 18%PES)
ERA - Camira (100% poliestere)

D CATEGORY

FENICE - Pugi (75%Lana - 25%Poliammide)
VEGA VELVET - (Glamour 100%Poliestere)
BUBBLE - Flukso (100%PES)
PIQUANT - Flukso (100%PES)
SALO' - L'interno (55%CO - 21%VI - 10%PL - 9%LI - 5%PC)
MALCESINE - L'interno (52%CO - 23%VI - 17%PL - 8%LI)
BARDOLINO - L'interno (75%CO - 25%PL)
SIRMIONE - L'interno (49%CO - 23%PL - 19%VI - 9%LI)
ASPECT - Camira - (75%Trevira CS - 25%Poliestere)
XTREME - Camira (100%Poliestere Riciclato)
CANOPY - Camira (100% poliestere)
MANHATTAN - Camira (100% poliestere)
FUSION - Crevin (34% wo - 28% pes - 23% pp - 15% co)

E CATEGORY

SYNERGY - Camira (95%Lana - 5%PL)
TRACK - Camira (100%Trevira CS)
AIDO - Glamour (56%CO - 44%VI)
GULP - Glamour (56%CO - 44%VI)
NOBILI - Velluto - L'interno (100%CO)
OXIGEN - Camira (90% wool 10% polyamide)

F CATEGORY / LEATHER / THICK LEATHER

Pelle Soft - Panama DANI
Pelle Soft Stampa Madras - Box Land DANI
INDIVIDUO - Camira (95%WOOL - 5%PL)
CUOIO - thick leather

LUXURY

NOBILI trapuntato velluto - L'interno (100%CO)
Pelle soft - Florida Dani
Nabuk - Venere
Pelle acquario: DANI
Pelle Dani Vintage anilina
FOSS - KVADRAT (76% wool - 11% viscose - 8% nylon - 5% linen)

METAL

STANDARD COLORS

White RAL 9016
Black RAL 9005
Red bordeaux RAL 3004
Tortora RAL 7006
Anthracite - Lead
Brown - Bronze

SPECIAL COLORS

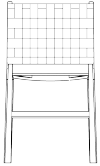
Fuchsia NCS S 2060R10B
Purple RAL 4011
Yellow NCS S 1050 Y 10R
Sage green SX 360 I
Dark green SXA02I
Powder S 1010Y90R
NCS S 6020 R 90 B

JULIE

Design: Emilio Nanni

Beech with seat and back in woven thick leather

0023 – CU



DIMENSION

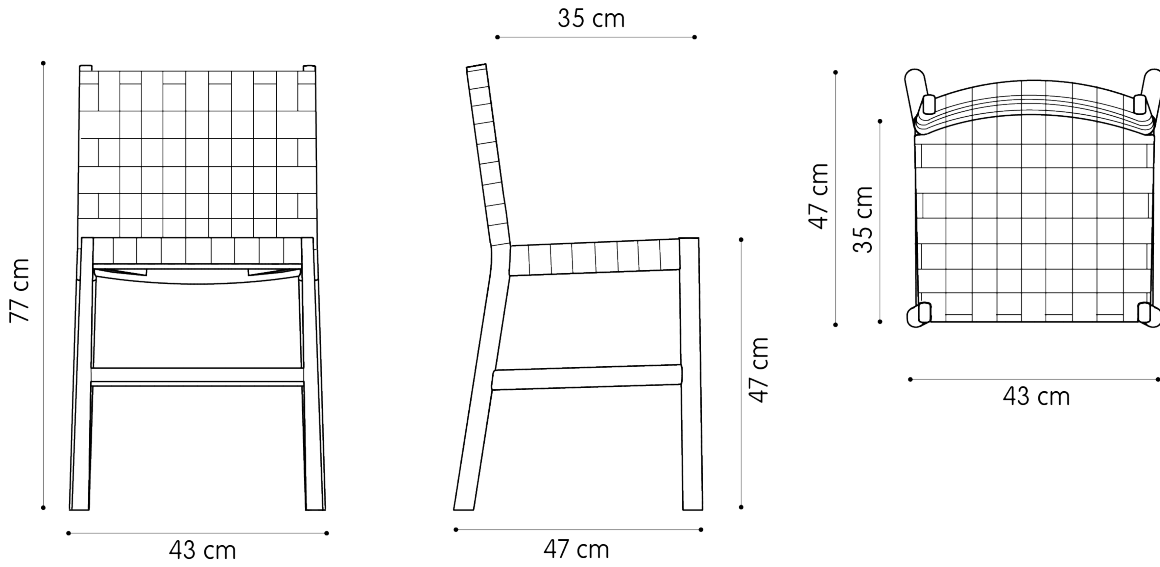
Height	77
Width	43
Depth	47
Sitting Height	47

FINISHING

Base	Solid Beech
Seat	Woven Thick Leather
Back	Woven Thick Leather

PACKING

Height	96
Width	46
Depth	66
Pieces for Pckg	2
Gross Weight	12
cu.m.	0,29



FINISHINGS

WOOD Our standard lacquers have a matt finish; the relevant RAL and NCS codes can be found at the back of the Trabà catalogue in the KEEP COLOURS section. Colors are divided into two price categories referred to on the price list as LACQUERED BASIC and LACQUERED FASHION. For sample colors the cost it's the same of LACQUERED BASIC.

LACQUERED BASIC

White RAL 9010
Sand RAL 7044
Black RAL 9011
Tortora RAL 7006
Grey RAL 7010
Dark Brown RAL 8019
Dark Green RAL 6003
Oil Green RAL 6000
Blue Sea RAL 6034
Sage Green RAL 6013
Powder S 1010Y90R

LACQUERED FASHION

Bordeaux RAL 3004
Red RAL 3013
Anthracite Grey RAL 7016
Antique Pink RAL 3012
Pink NCS 1021
Violet RAL 4008
Bluette RAL 5009
Yellow RAL 1003
Brick RAL 3009
Red Pomegranate RAL 3031
Sage green NCS 5010 G 10Y
Fuchsia NCS S 2060R10B
Purple RAL 4011
Yellow NCS S 1050 Y 10R
NCS S 6020 R 90 B

COVERINGS

C CATEGORY

JET - Fidivi (100%Trevira)
FOX - Fidivi (100%Trevira)
INCAS - Fidivi (100%Trevira)
SKILL - Flukso (69%PVC - 20%PES - 10%CO - 1%PU)
ALCE - Mam (30%CO - 1%PU - 69%PVC)
TIME - Mam (10%CO - 20%PES - 1%PU - 69%PVC)
PLATINUM - Flukso (82%PVC - 18%PES)
ERA - Camira (100% polyestere)

D CATEGORY

FENICE - Pugi (75%Lana - 25%Poliammide)
VEGA VELVET - (Glamour 100%Poliestere)
BUBBLE - Flukso (100%PES)
PIQUANT - Flukso (100%PES)
SALO - L'interno (55%CO - 21%VI - 10%PL - 9%LI - 5%PC)
MALCESINE - L'interno (52%CO - 23%VI - 17%PL - 8%LI)
BARDOLINO - L'interno (75%CO - 25%PL)
SIRMIONE - L'interno (49%CO - 23%PL - 19%VI - 9%LI)
ASPECT - Camira - (75%Trevira CS - 25%Poliestere)
XTREME - Camira (100%Poliestere Riciclato)
CANOPY - Camira (100% polyestere)
MANHATTAN - Camira (100% polyestere)
FUSION - Crevin (34% wo - 28% pes - 23% pp - 15% co)

E CATEGORY

SYNERGY - Camira (95%Lana - 5%PL)
TRACK - Camira (100%Trevira CS)
AIDO - Glamour (56%CO - 44%VI)
GULP - Glamour (56%CO - 44%VI)
NOBILI - Velluto - L'interno (100%CO)
OXIGEN - Camira (90% wool 10% polyamide)

F CATEGORY / LEATHER / THICK LEATHER

Pelle Soft - Panama DANI
Pelle Soft Stampa Madras - Box Land DANI
INDIVIDUO - Camira (95%WOOL - 5%PL)
CUOIO - thick leather

LUXURY

NOBILI trapuntato velluto - L'interno (100%CO)
Pelle soft - Florida Dani
Nabuk - Venere
Pelle acquario: DANI
Pelle Dani Vintage anilina
FOSS - KVADRAT (76% wool - 11% viscose - 8% nylon - 5% linen)

METAL

STANDARD COLORS

White RAL 9016
Black RAL 9005
Red bordeaux RAL 3004
Tortora RAL 7006
Anthracite - Lead
Brown - Bronze

SPECIAL COLORS

Fuchsia NCS S 2060R10B
Purple RAL 4011
Yellow NCS S 1050 Y 10R
Sage green SX 360 I
Dark green SXA02I
Powder S 1010Y90R
NCS S 6020 R 90 B