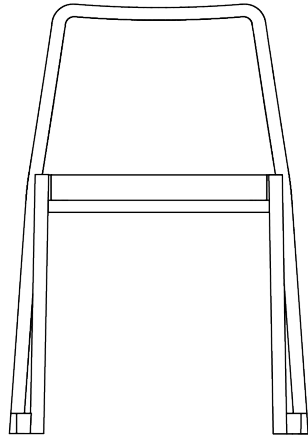


ROXANNE

DESIGN: EMILIO NANNI



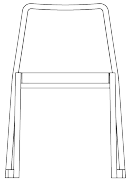
WOODEN SEAT



PADDED SEAT

WOODEN SEAT

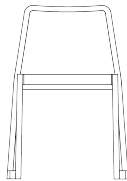
0040 – LE



DIMENSION		FINISHING		PACKING	
Height	76	Base	Solid Beech	Height	85
Width	51	Seat	Beech Multilayer - Thickness 12 mm	Width	56
Depth	49	Back	Beech Multilayer - Thickness 12 mm	Depth	70
Sitting Height	46,5			Pieces for Pckg	2
				Gross Weight cu.m.	14,5 0,33

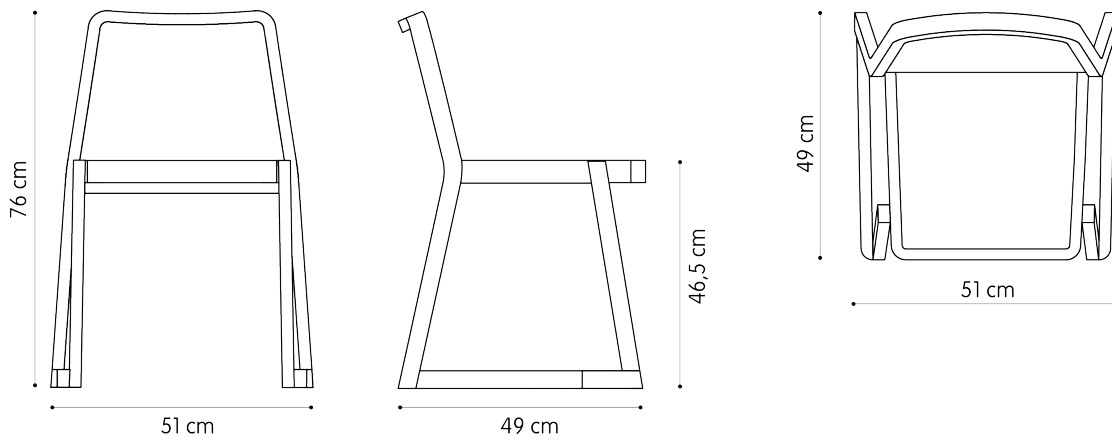
PADDED SEAT

0041 – IMB

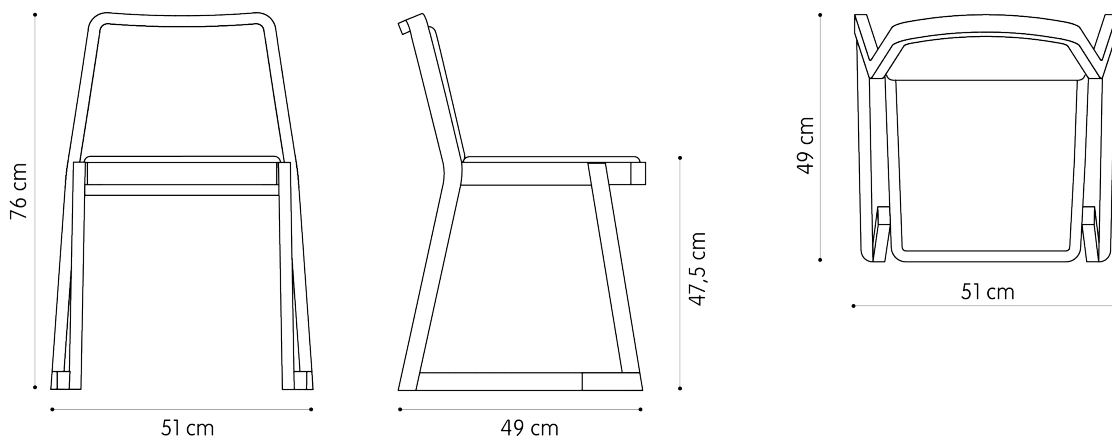


DIMENSION		FINISHING		PACKING	
Height	76	Base	Solid Beech	Height	85
Width	51	Seat	Beech Multilayer - Thickness 12 mm	Width	56
Depth	49	Back	Beech Multilayer - Thickness 12 mm	Depth	70
Sitting Height	47,5			Pieces for Pckg	2
		Padding Mat.	Foam Robber - Thickness 1 cm Density ELAST 65 Kg/cu.m. - Fireproof	Gross Weight cu.m.	14,5 0,33

Art. 0040



Art. 0041



FINISHINGS

WOOD

Beechwood Bleached 25
Beechwood Tortora 08
Beechwood Mahogany 09
Beechwood Grey10
Beechwood Black Aniline11
Beechwood Walnut 12
Beechwood Wengè 26

LACQUERED BASIC

White RAL 9010
Sand RAL 7044
Black RAL 9011
Tortora RAL 7006
Grey RAL 7010
Dark Brown RAL 8019
Dark Green RAL 6003
Oil Green RAL 6000
Blue Sea RAL 6034
Sage Green RAL 6013

LACQUERED FASHION

Bordeaux RAL 3004
Red RAL 3013
Anthracite Grey RAL 7016
Antique Pink RAL 3012
Pink NCS 1021
Violet RAL 4008
Bluette RAL 5009
Yellow RAL 1003
Brick RAL 3009
Red Pomegranate RAL 3031

COVERINGS

C CATEGORY

JET - Fidivi (100%Trevira)
FOX - Fidivi (100%Trevira)
INCAS - Fidivi (100%Trevira)
SKILL - Flukso (69%PVC - 20%PES - 10%CO - 1%PU)
ALCE - Mam (30%CO - 1%PU - 69%PVC)
TIME - Mam (10%CO - 20%PES - 1%PU - 69%PVC)
PLATINUM - Flukso (82%PVC - 18%PES)

D CATEGORY

FENICE - Pugi (75%Lana - 25%Poliammide)
VEGA VELVET - (Glamour 100%Poliestere)
BUBBLE - Flukso (100%PES)
PIQUANT - Flukso (100%PES)
SALO' - L'interno (55%CO - 21%VI - 10%PL - 9%LI - 5%PC)
MALCESINE - L'interno (52%CO - 23%VI - 17%PL - 8%LI)
BARDOLINO - L'interno (75%CO - 25%PL)
SIRMIONE - L'interno (49%CO - 23%PL - 19%VI - 9%LI)
ASPECT - Camira - (75%Trevira CS - 25%Poliestere)
XTREME - Camira (100%Poliestere Riciclato)
IMPERIA - L'interno (46%CO - 30%VI - 14%LI - 10%PC)

E CATEGORY

SYNERGY - Camira (95%Lana - 5%PL)
TRACK - Camira (100%Trevira CS)
AIDO - Glamour (56%CO - 44%VI)
GULP - Glamour (56%CO - 44%VI)
NOBILI - Velluto - L'interno (100%CO)

F CATEGORY / LEATHER / THICK LEATHER

Pelle Soft - Panama DANI
Pelle Soft Stampa Madras - Box Land DANI
INDIVIDUO - Camira (95%WOOL - 5%PL)

LUXURY

NOBILI trapuntato velluto - L'interno (100%CO)
Pelle soft - Florida Dani
Nabuk - Venere